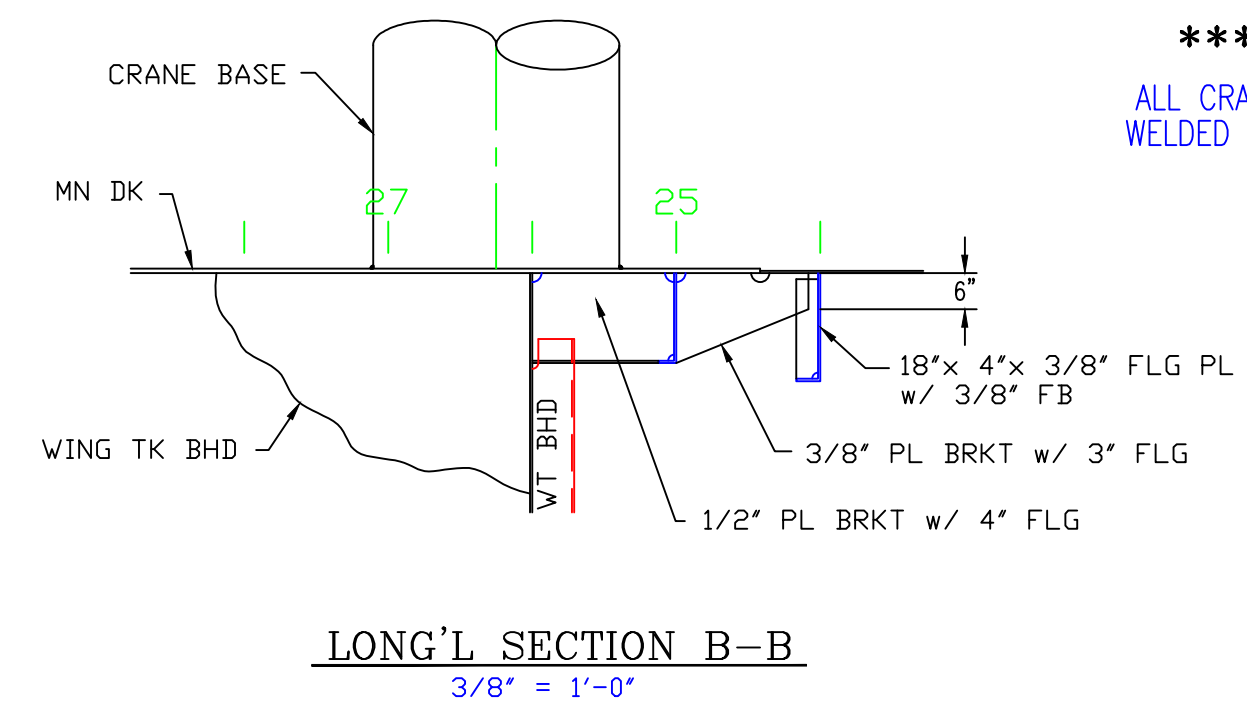
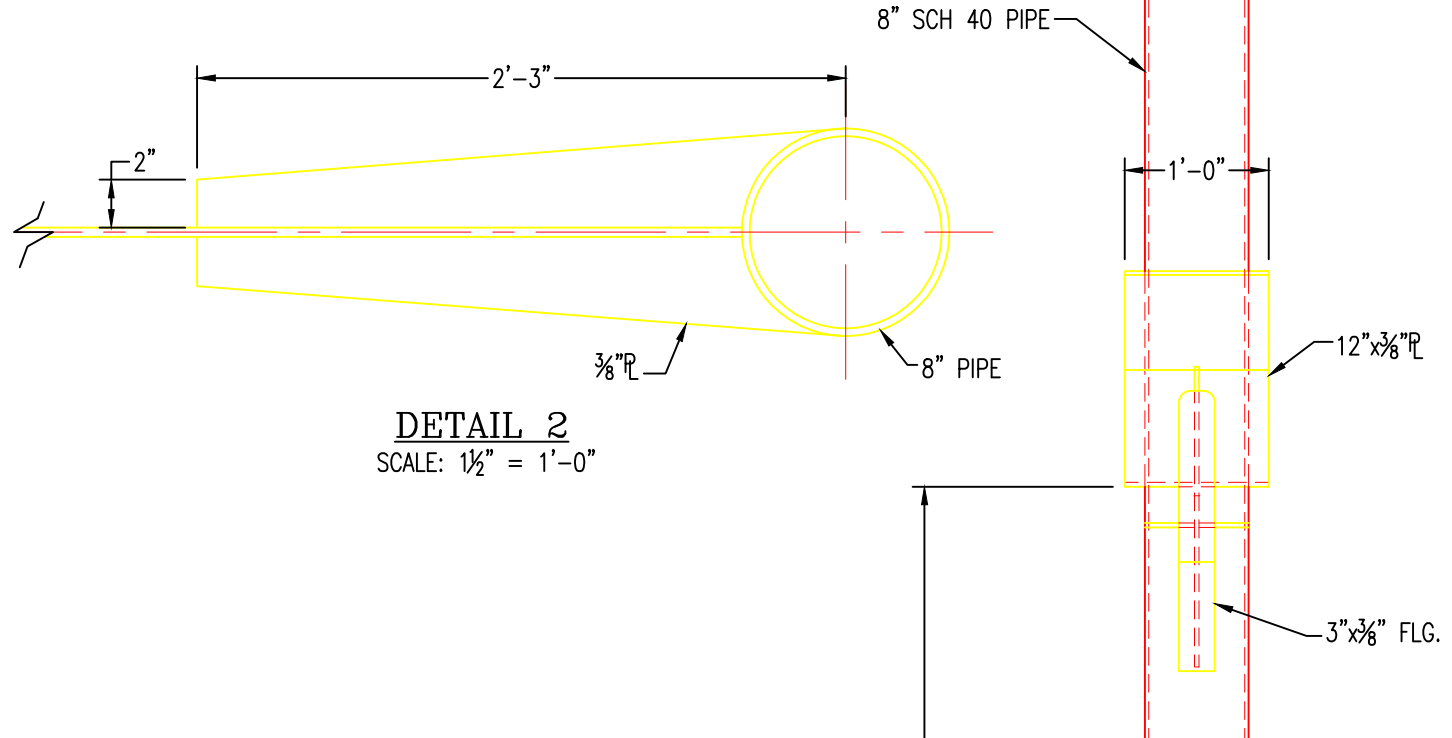
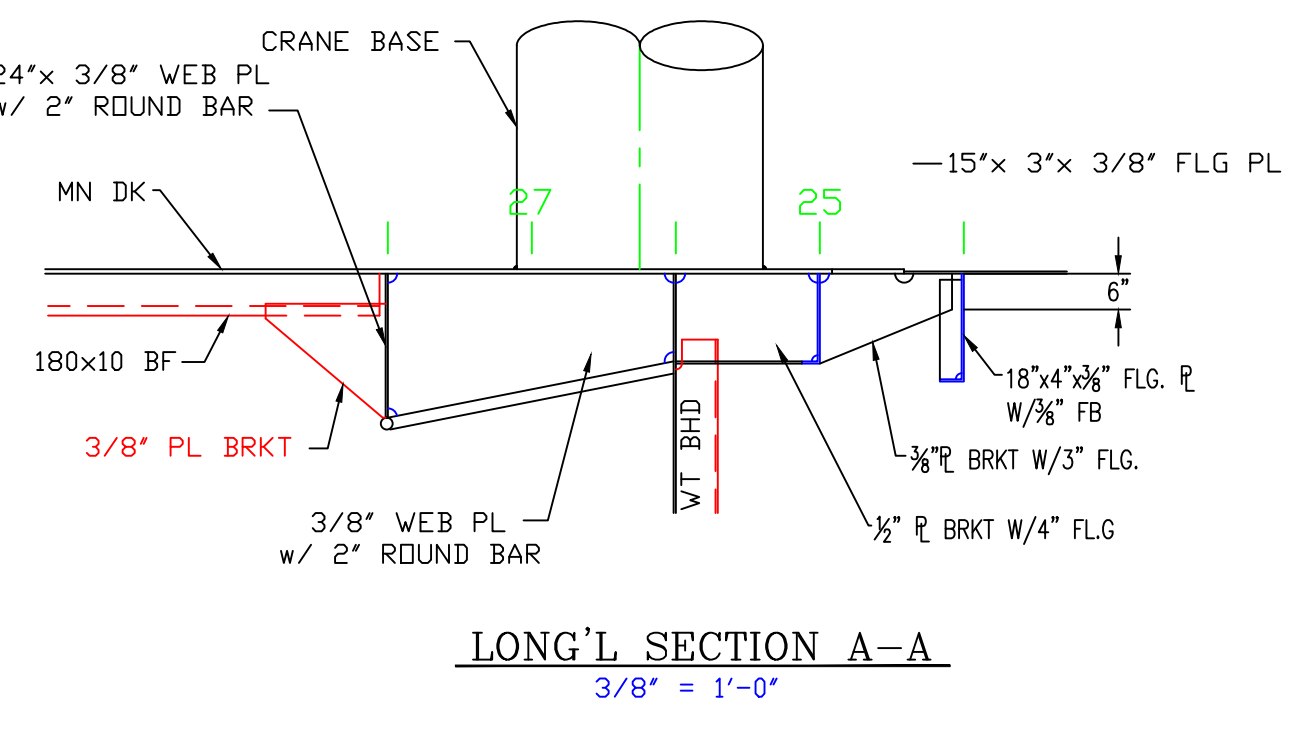
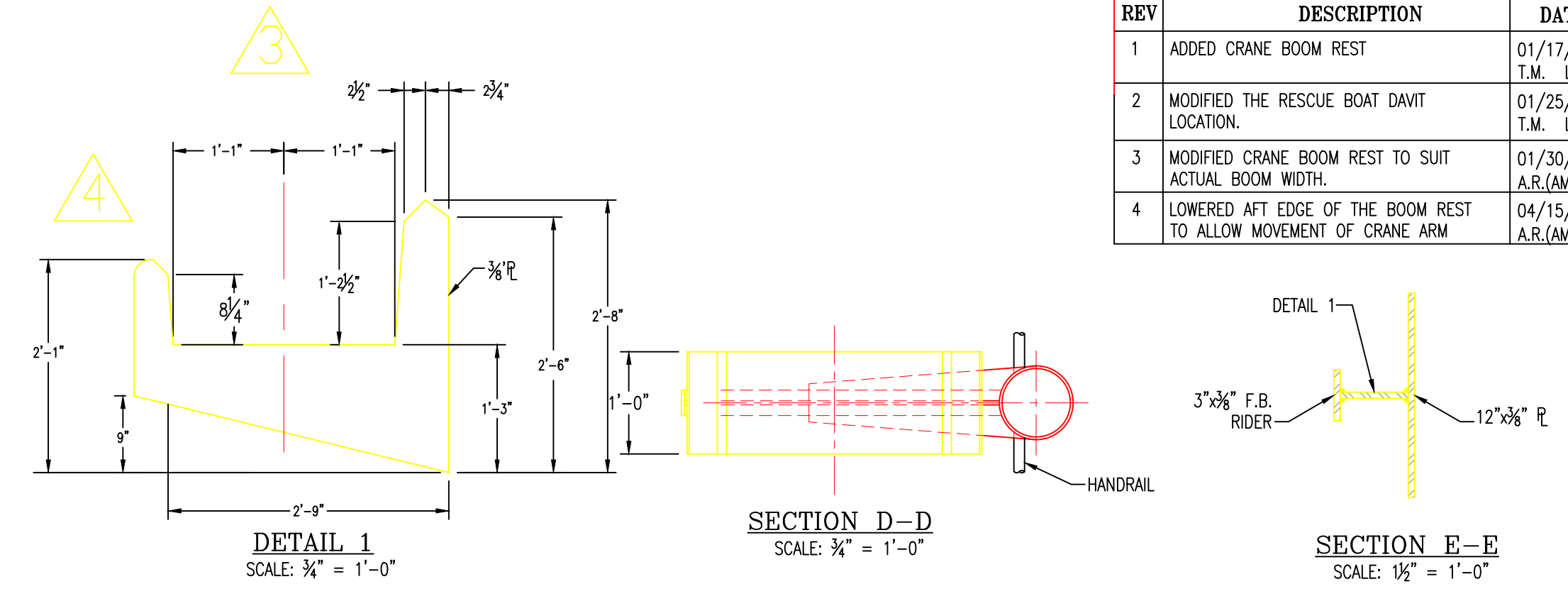
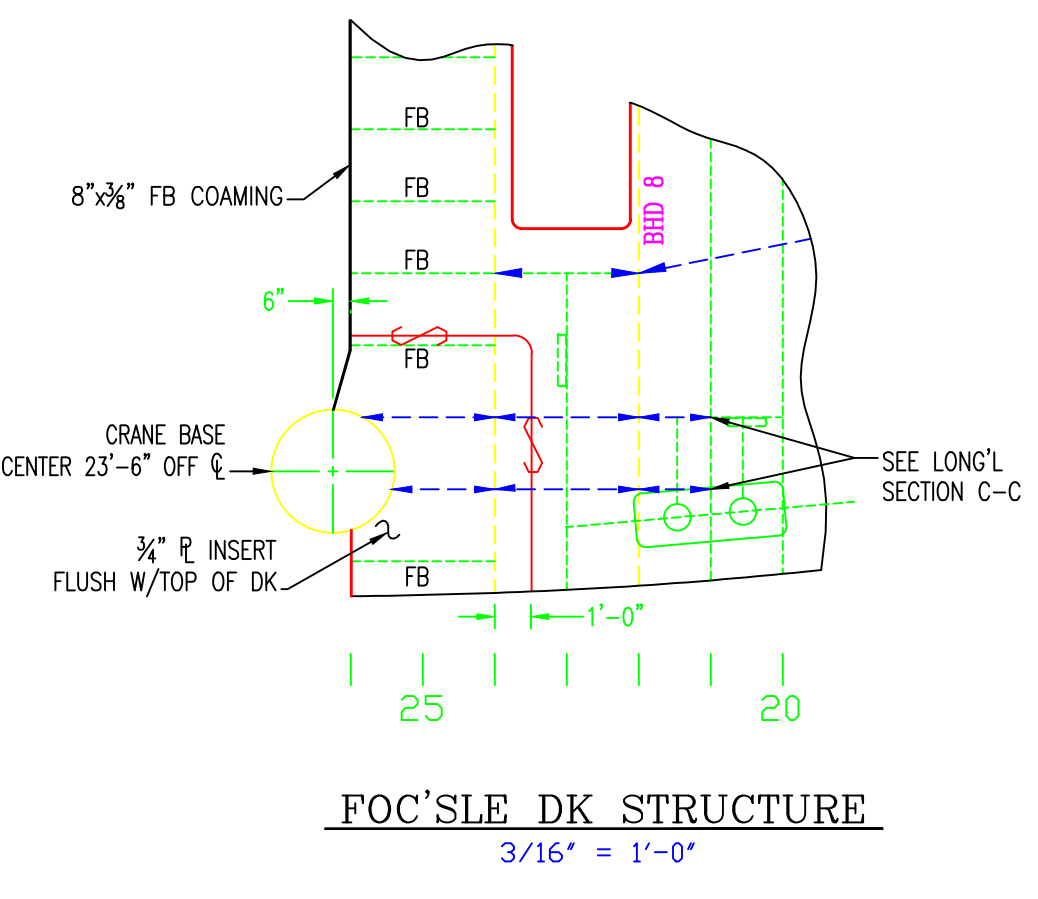
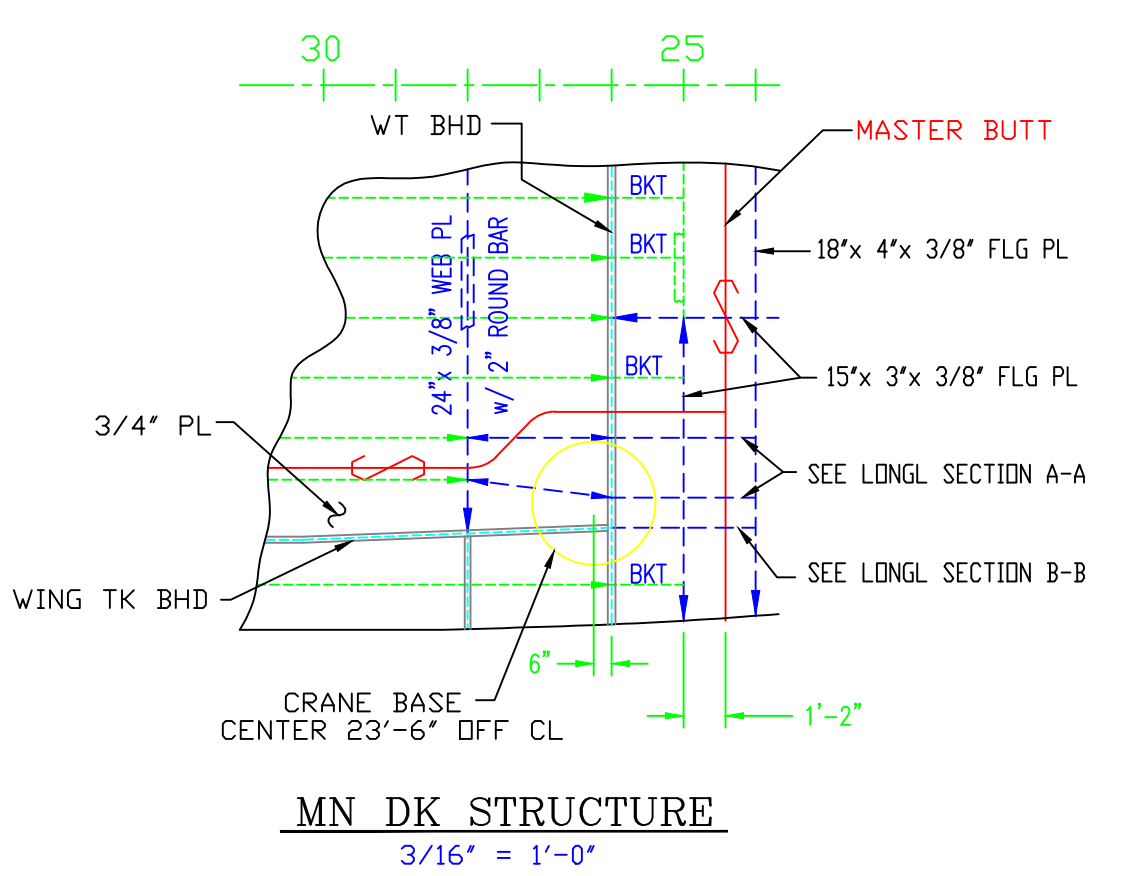
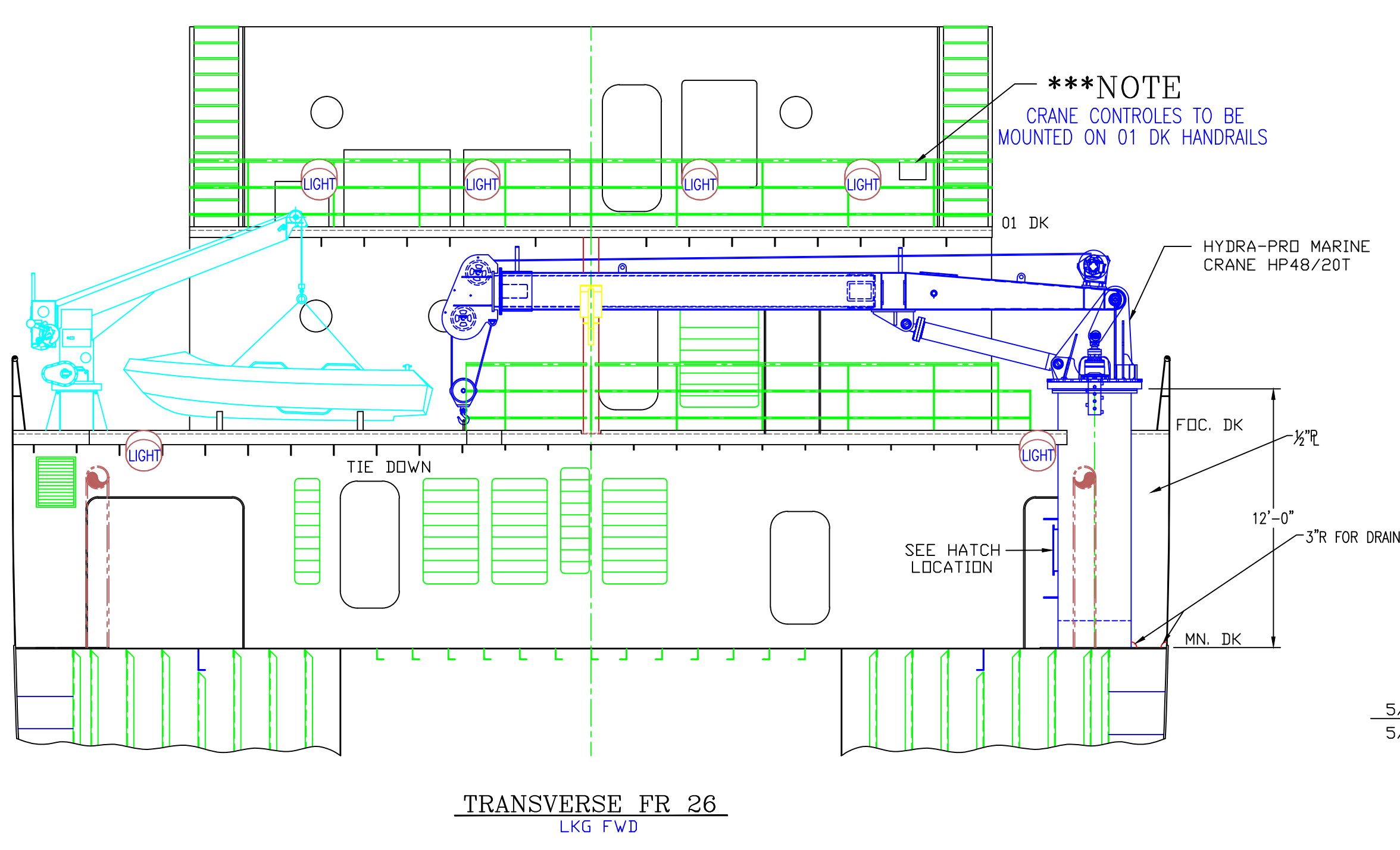
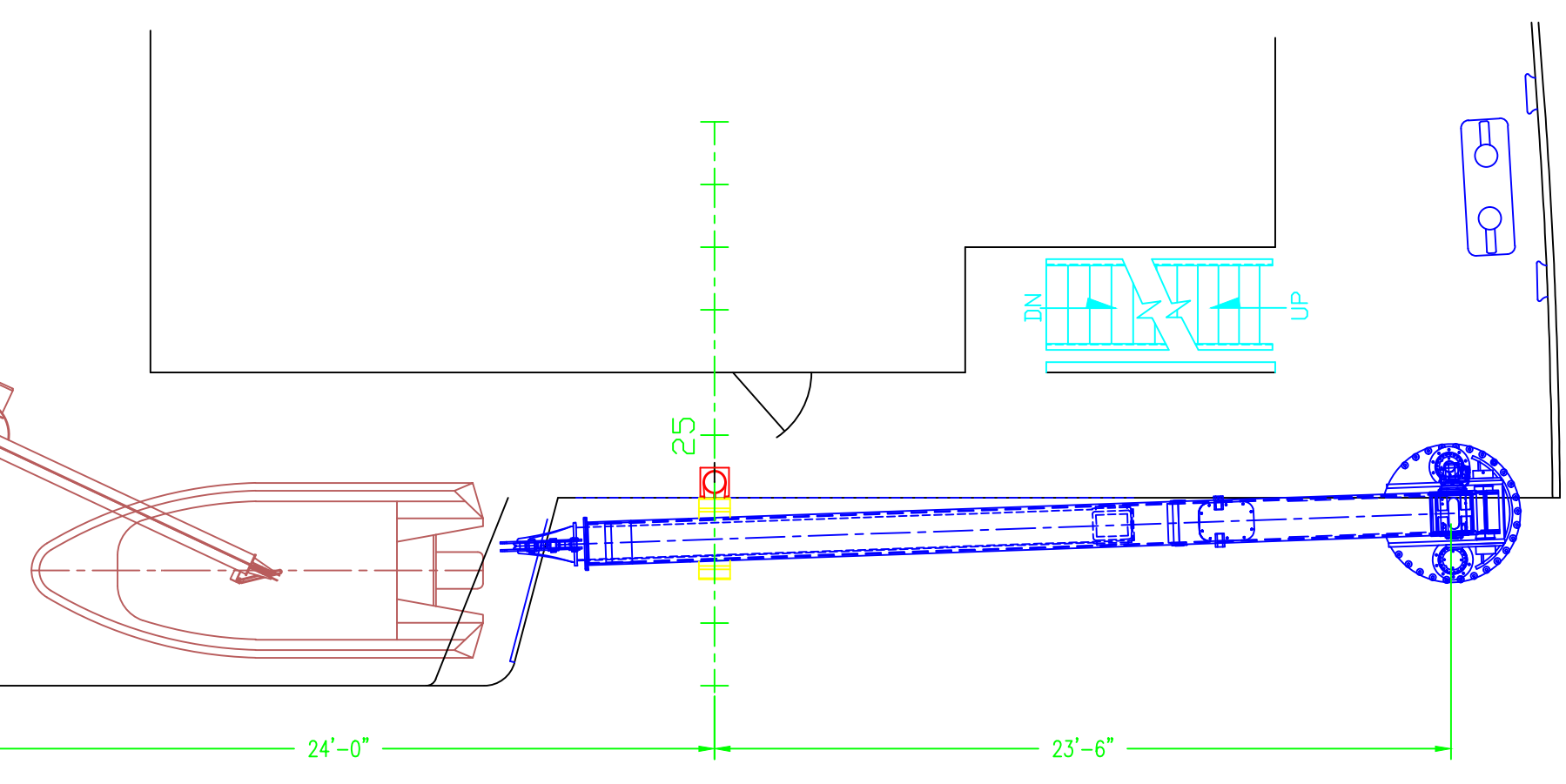
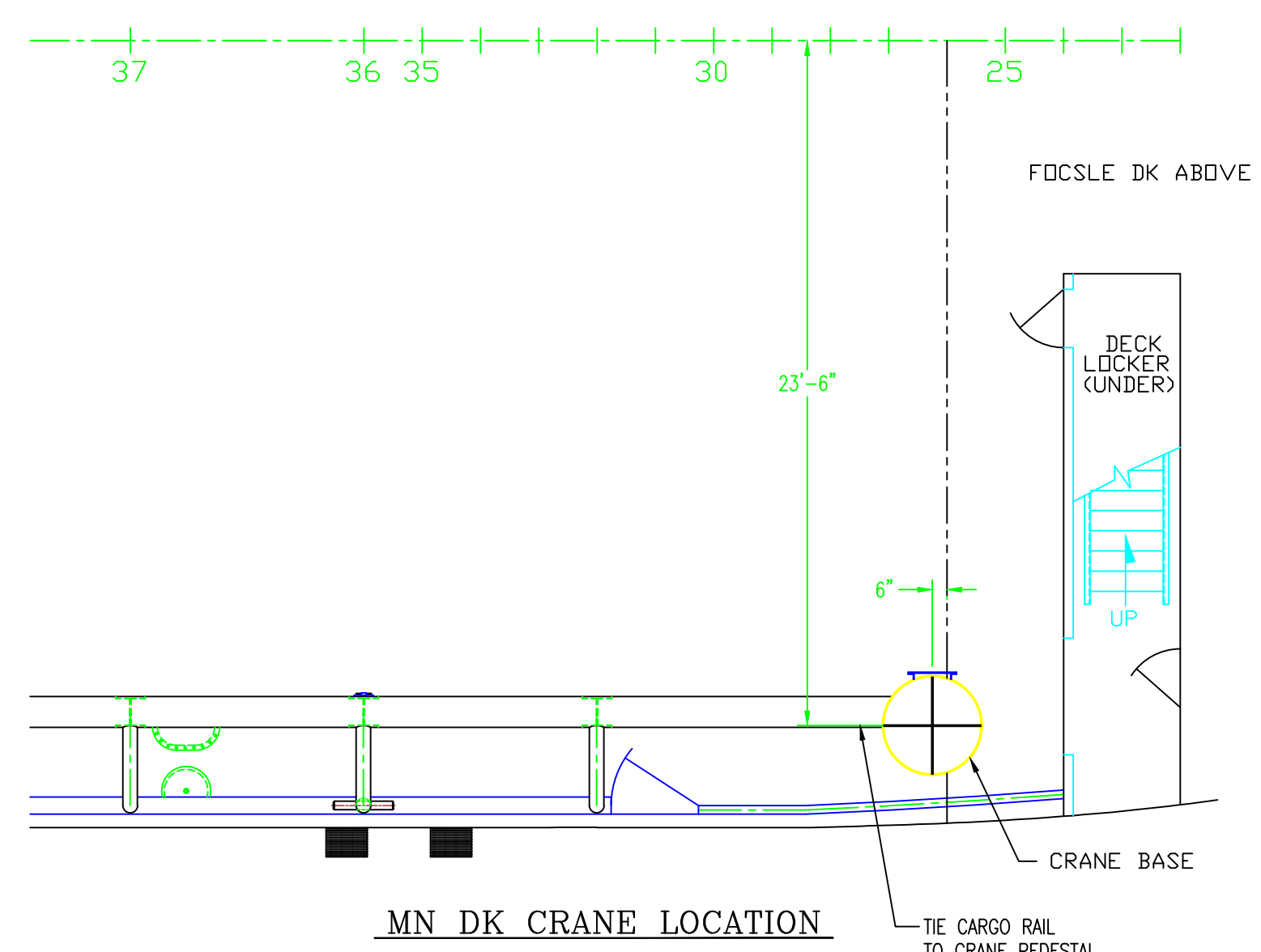
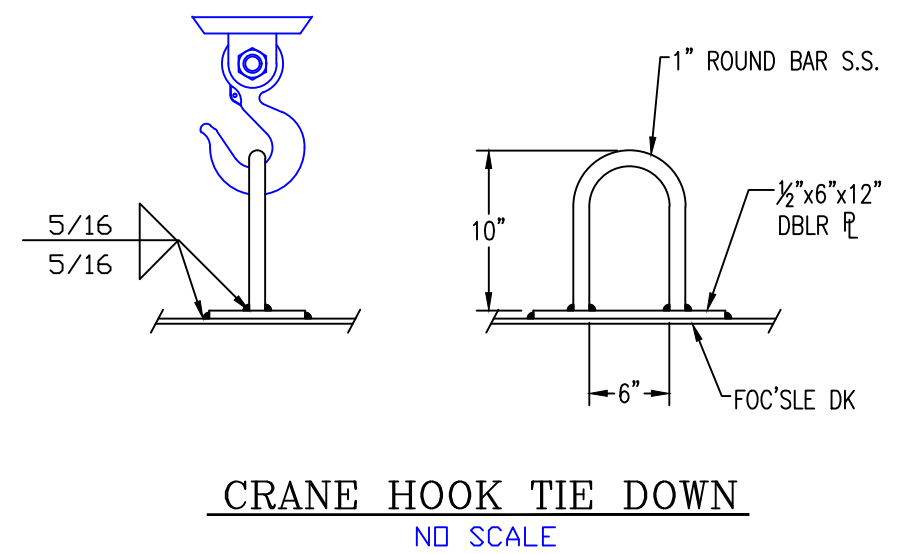
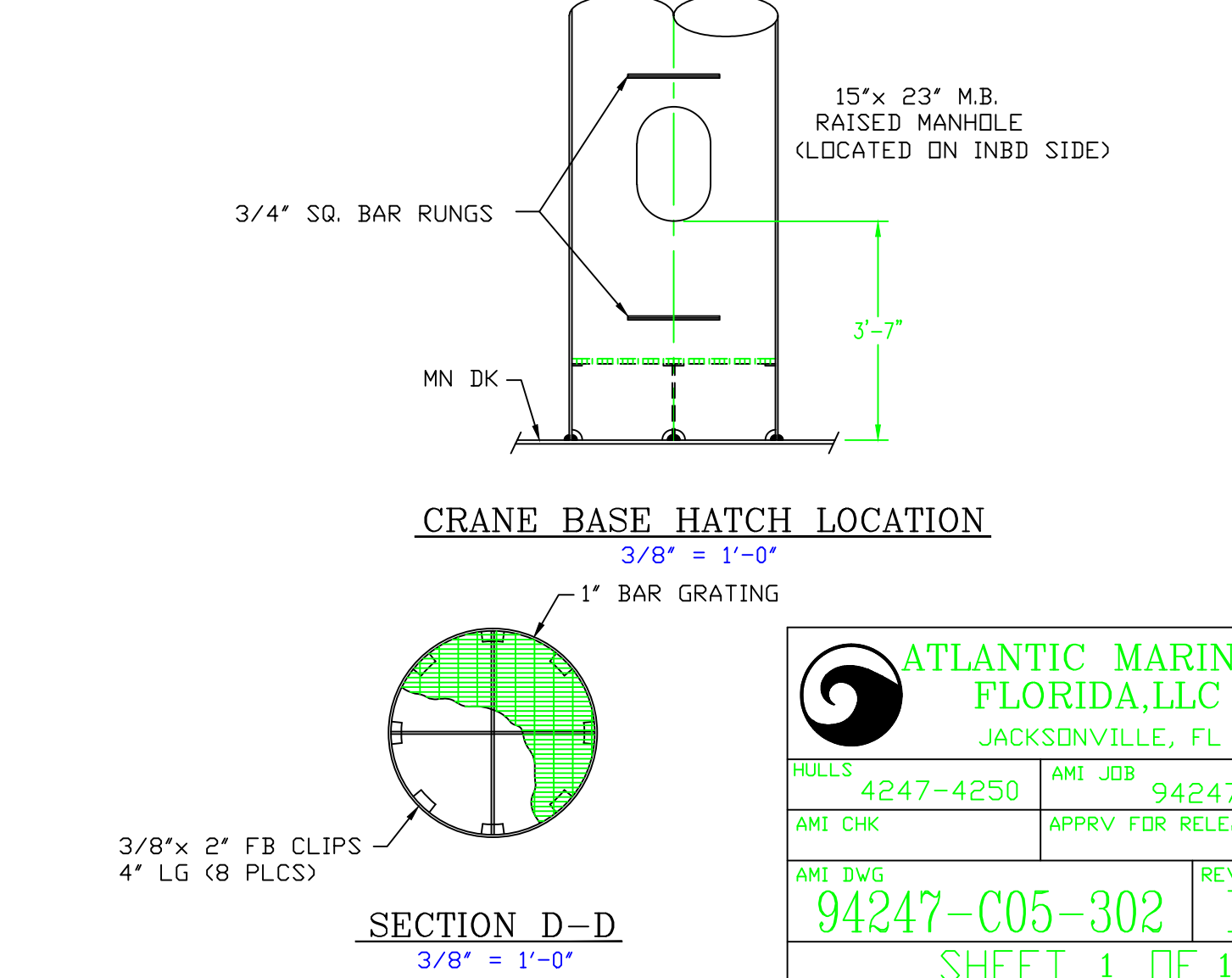
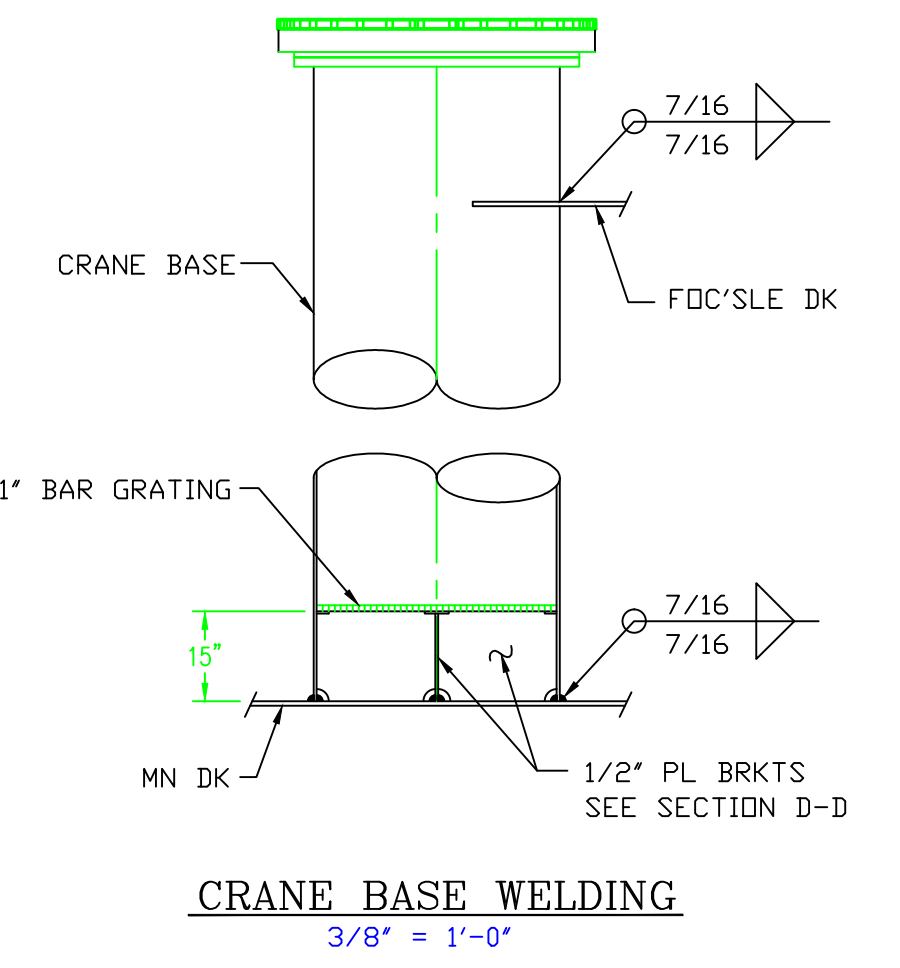
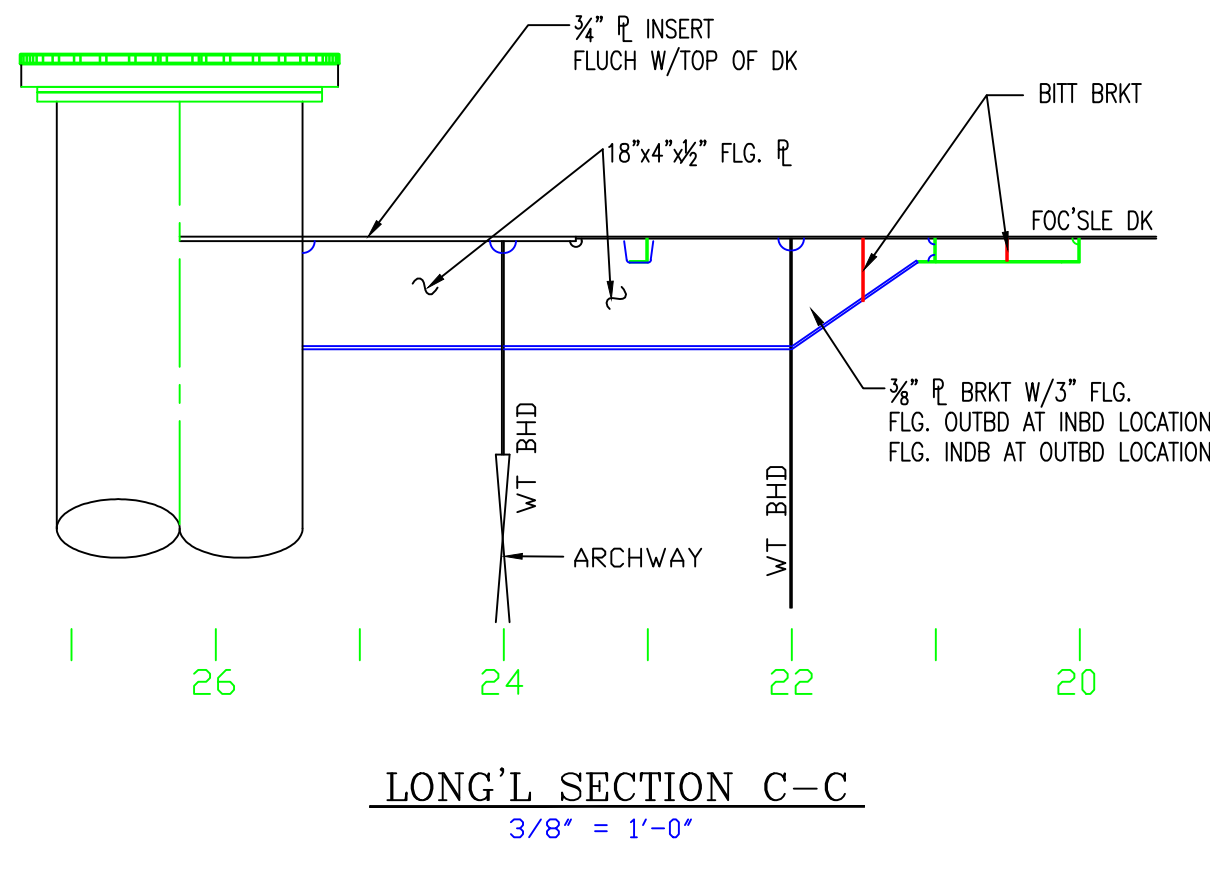


REVISIONS		
REV	DESCRIPTION	DATE
1	ADDED CRANE BOOM REST	01/17/08 T.M. L.S.
2	MODIFIED THE RESCUE BOAT DAVIT LOCATION.	01/25/08 T.M. L.S.
3	MODIFIED CRANE BOOM REST TO SUIT ACTUAL BOOM WIDTH.	01/30/08 A.R.(AMF)
4	LOWERED AFT EDGE OF THE BOOM REST TO ALLOW MOVEMENT OF CRANE ARM.	04/15/08 A.R.(AMF)



***NOTE
ALL CRANE SUPPORTS TO BE WELDED 1/4 DBL CONTINUOUS



REFERENCES

- OUTBOARD PROFILE & GENERAL ARRANGEMENT DWG. 1.001
- MAIN DECK SCANTLING DWG. 2.201.
- MAIN DECK SUPERSTRUCTURE DWG. 2.601
- RESCUE BOAT DAVIT FOUNDATION DETAILS DWG. 3.503
- HYDRA-PRO, INC. CRANE DWG. MB-05757

GENERAL NOTES:

- ALL WELDING TO BE AS PER ABS RULES AND TO DEVELOP FULL STRENGTH OF STRUCTURAL MATERIAL, TO SURVEYORS SATISFACTION.
- ALL MATERIALS TO BE MILD STEEL ABS, GRADE A WITH A MINIMUM YIELD STRESS OF 34 KIPS PER SQUARE INCH EXCEPT FOR SHEER STRAKE IN MIDBODY, TO SURVEYORS SATISFACTION.
- FIT-UP AND WELD TO THE SATISFACTION OF THE ATTENDING SURVEYOR.
- ALL NEW STRUCTURE TO BE PREPARED AND COATED ACCORDING TO SPECIFICATIONS, SECTION 13.
- SHIPS STRUCTURAL SUPPORT DESIGNED FOR CRANE OVERTURNING MOMENT OF 450,000 lb/ft AND AXIAL FORCE OF 57,000 lbs.

ATLANTIC MARINE FLORIDA, LLC
JACKSONVILLE, FL

HULLS 4247-4250 AMI JOB 94247
AMI CHK APPROV FOR RELEASE

AMI DWG 94247-C05-302 REV D
SHEET 1 OF 1

THIS DRAWING, DESIGN CONCEPT AND SPECIFICATIONS ARE THE PROPERTY OF HORNBECK OFFSHORE SERVICES AND ARE FURNISHED ON A CONFIDENTIAL BASIS WITH AN EXPRESSED UNDERSTANDING THAT THEY WILL NOT BE COPIED IN ANY MANNER USED FOR MANUFACTURING, SALES, TRANSPORTATION, NOR USED TO THE DETRIMENT OF SAO FIRM WITHOUT WRITTEN PERMISSION. 1108 ©

HORNBECK OFFSHORE SERVICES

DRAWN BY: JONATHAN LEJEUNE				240'-0" X 54'-0" 19'-0"			
CH'KD. BY: MIKE JANNISE				CRANE LAYOUT & DETAILS			
APP'D. BY:		SCALE: 3/16" = 1'-0"		DATE: 4-2-07		REV. 4	
PROJECT # 1362		DRAWING # 3.502		SHEET 1 OF 0			