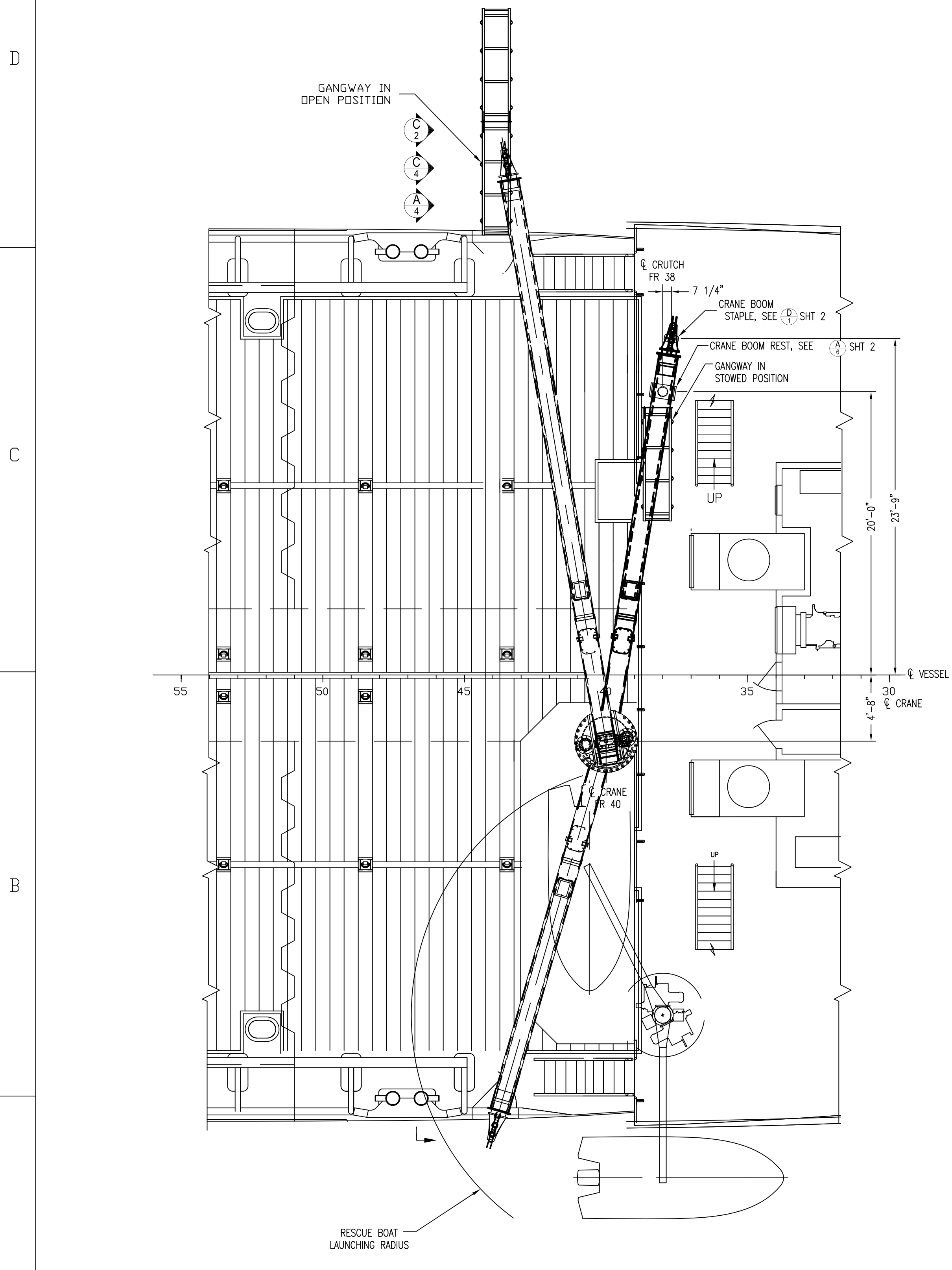
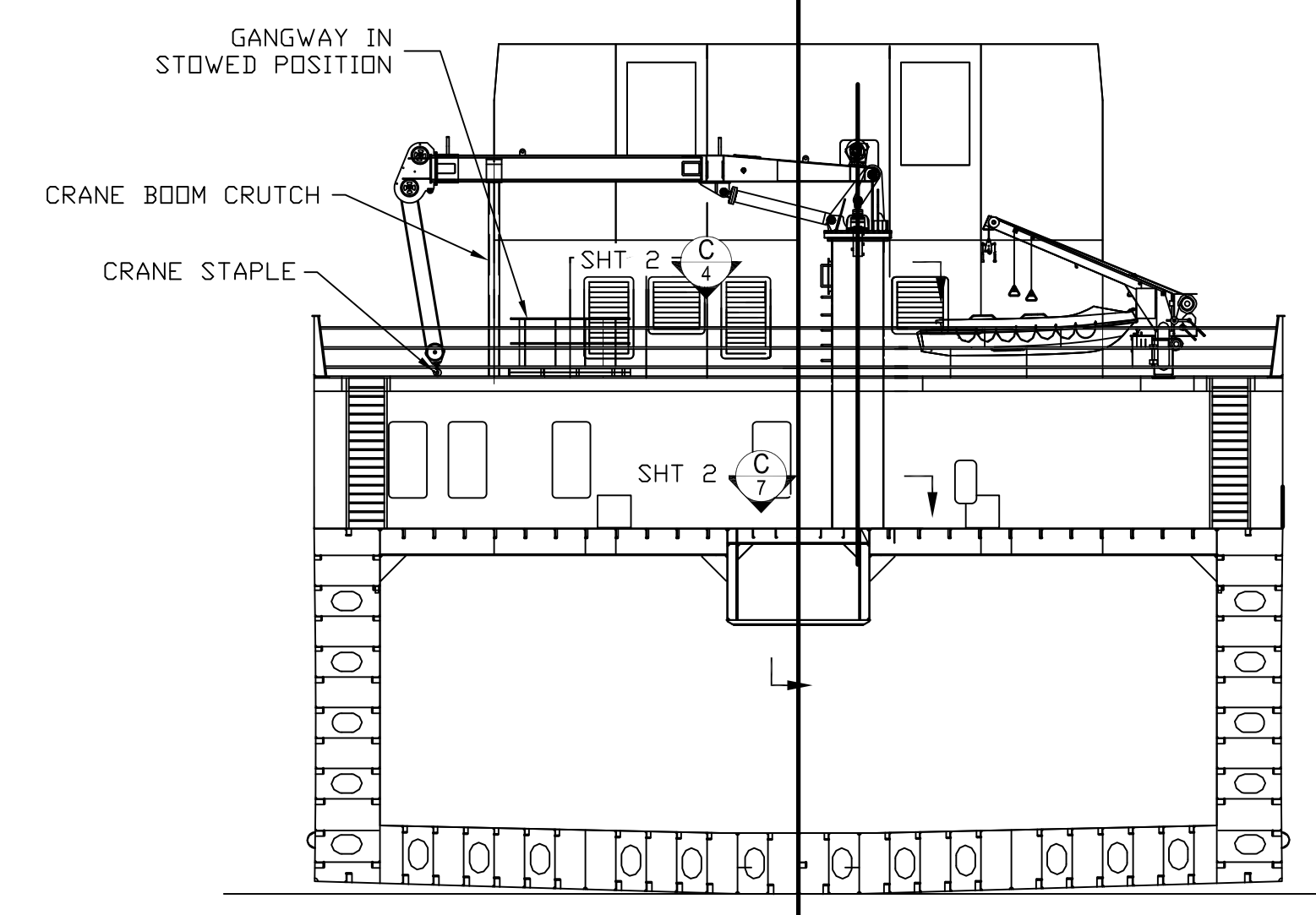


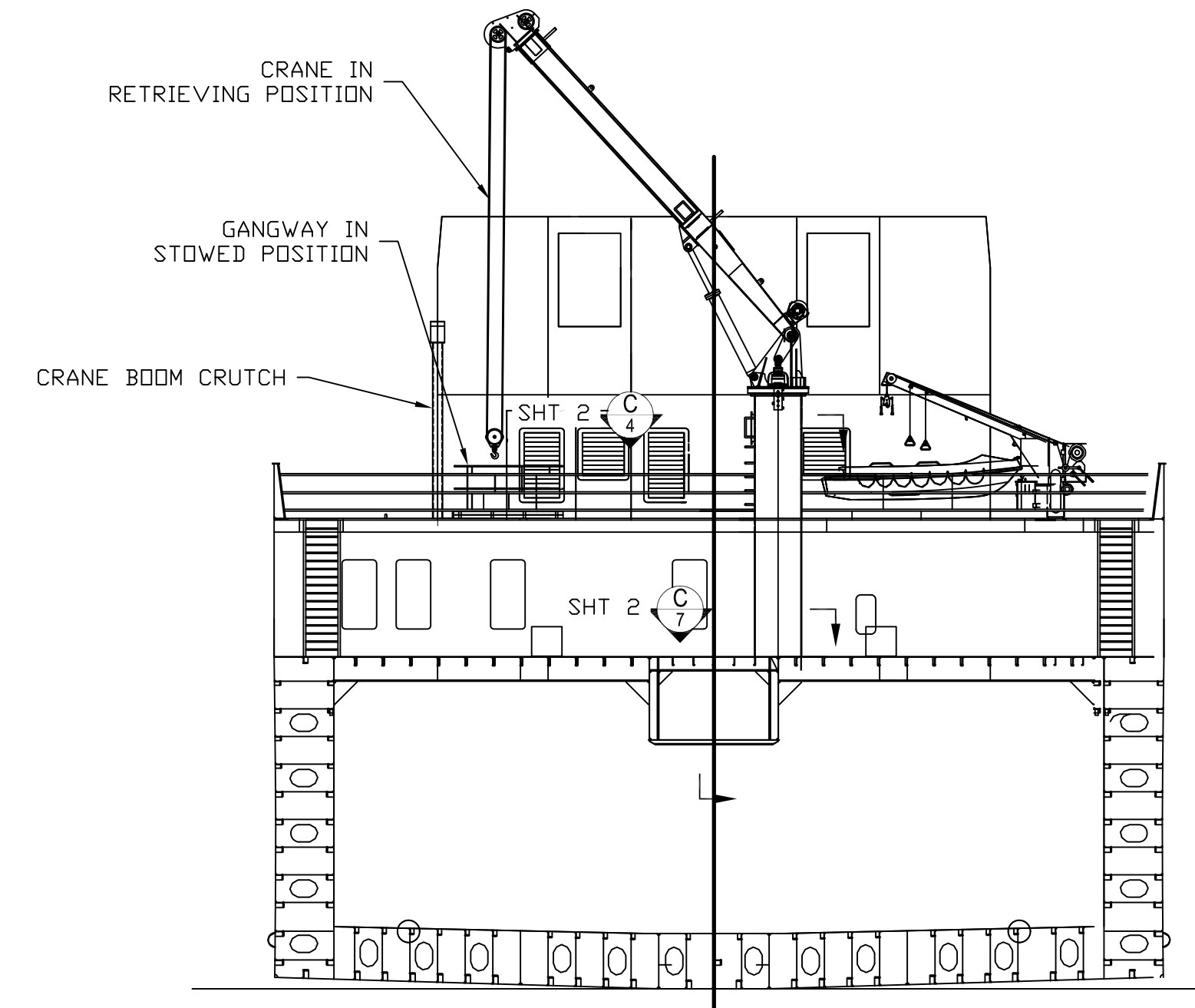
REVISIONS		
DATE	DESCRIPTION	BY.



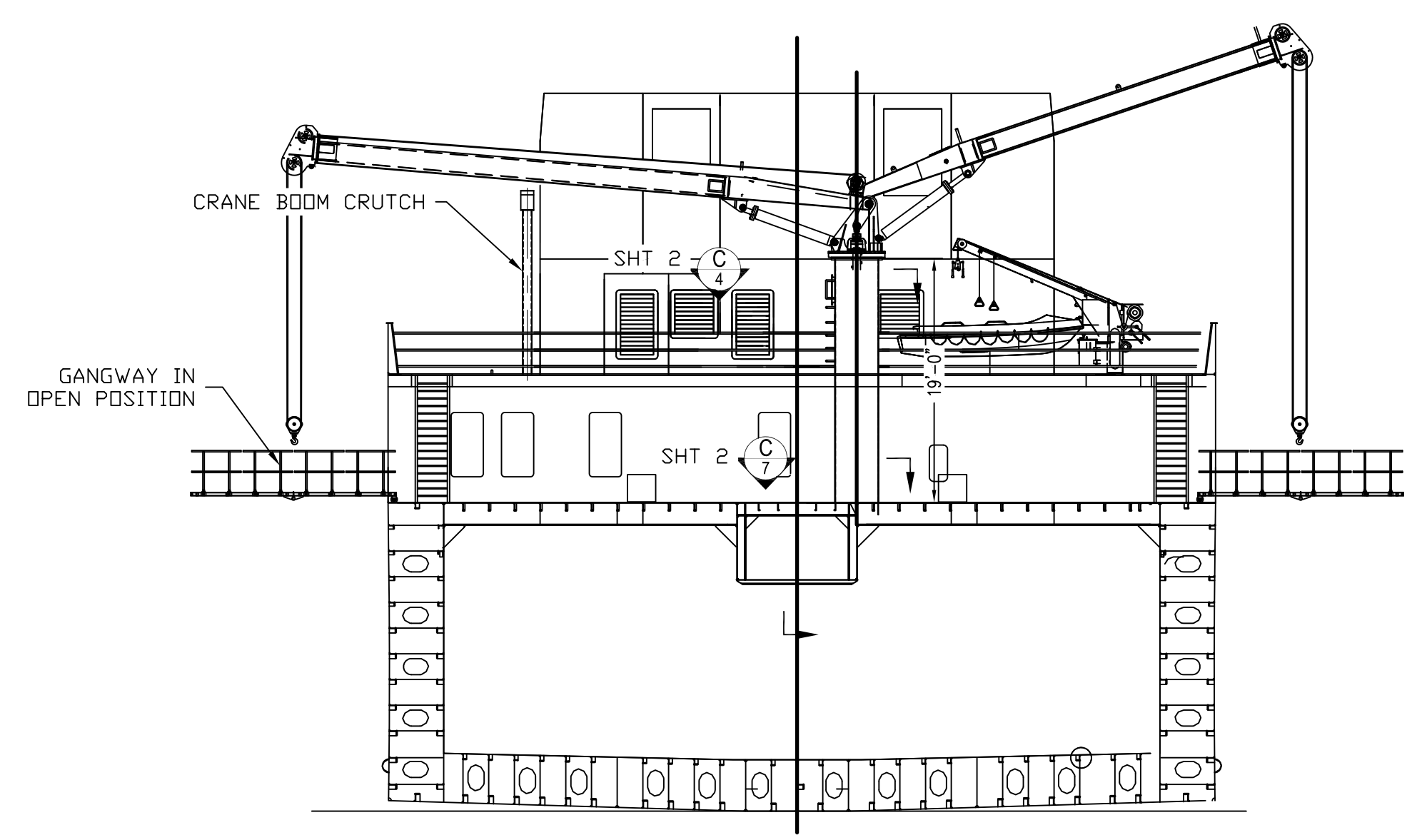
PLAN VIEW
 SCALE: 3/16"=1'-0"
 LKG DOWN, CRANE & GANGWAY
 SHOWN IN LAUNCHING & STOWED POSITION



SECTION C-4
 3/32"=1'-0"
 FR. 40
 CRANE & GANGWAY SHOWN IN
 STOWED POSITION LKG FWD



SECTION C-2
 3/32"=1'-0"
 FR. 40
 CRANE SHOWN IN GANGWAY
 RETRIEVING POSITION, LKG FWD



SECTION A-4
 3/32"=1'-0"
 FR. 40
 CRANE SHOWN IN
 GANGWAY LAUNCHING POSITION, LKG FWD

BILL OF MATERIAL				
ITEM:	QTY:	DESCRIPTION:	MAT'L	WT:
1	15 L.F.	3/4" SQ BAR	ASTM A-36	29#
2	2.2 L.F.	1" ROUND BAR	ASTM A-36	6#
3	39 S.F.	1/2" PLATE	ASTM A-36	776#
4	4 S.F.	3/8" PLATE	ASTM A-36	61#
5	13 L.F.	Ø6" SCH 40 PIPE	ASTM A-36	247#
6	8 L.F.	5"x3"x1/4" ANGLE	ASTM A-36	53#
7	7.5 L.F.	3/4" ROUND BAR	ASTM A-36	11#

TOTAL WT: 1183#

GENERAL NOTES:

- ALL WELDING TO BE AS PER ABS RULES AND TO DEVELOP FULL STRENGTH OF STRUCTURAL MATERIAL, TO SURVEYORS SATISFACTION.
- ALL MATERIALS TO BE MILD STEEL ABS, GRADE A WITH A MINIMUM YIELD STRESS OF 34 KIPS PER SQUARE INCH EXCEPT FOR SHEER STRAKE IN MIDBODY, TO SURVEYORS SATISFACTION.
- FIT-UP AND WELD TO THE SATISFACTION OF THE ATTENDING SURVEYOR.
- ALL NEW STRUCTURE TO BE PREPARED AND COATED ACCORDING TO OWNER SPECIFICATIONS.
- SHIPS STRUCTURAL SUPPORT DESIGNED FOR CRANE OVERTURNING MOMENT OF 13288.32 in-kips AND AXIAL FORCE OF 133320 lbs.
- ALL WELDING TO BE DOUBLE CONTINUOUS UNLESS OTHERWISE NOTED.
- ALL DIMENSIONS ASSOCIATED WITH MODIFICATIONS TO EXISTING STRUCTURE TO BE FIELD CHECKED AND VERIFIED PRIOR TO FABRICATION.

REFERENCES:

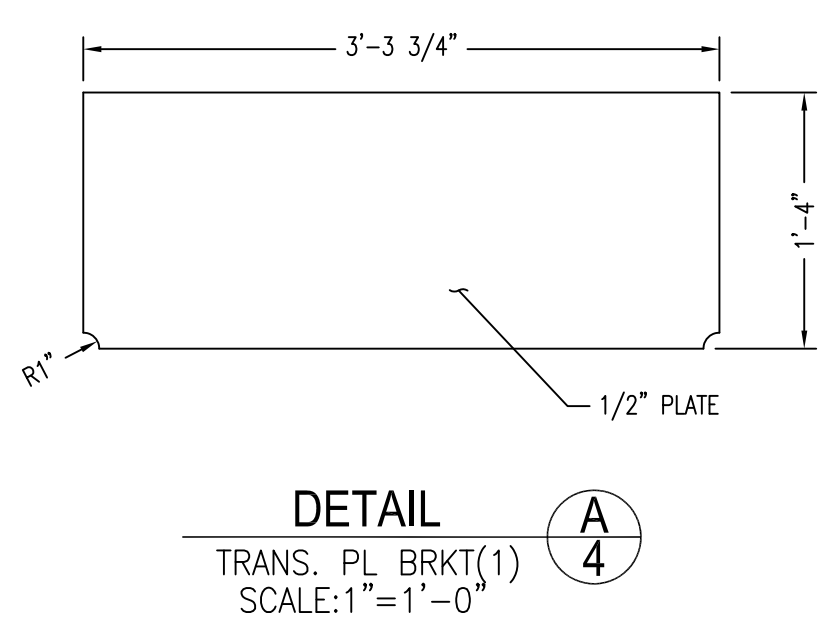
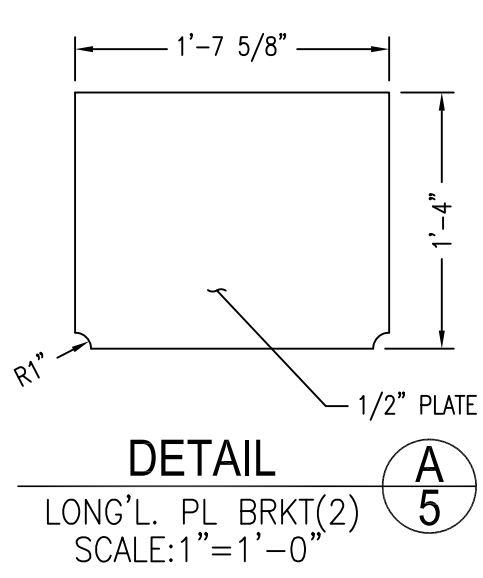
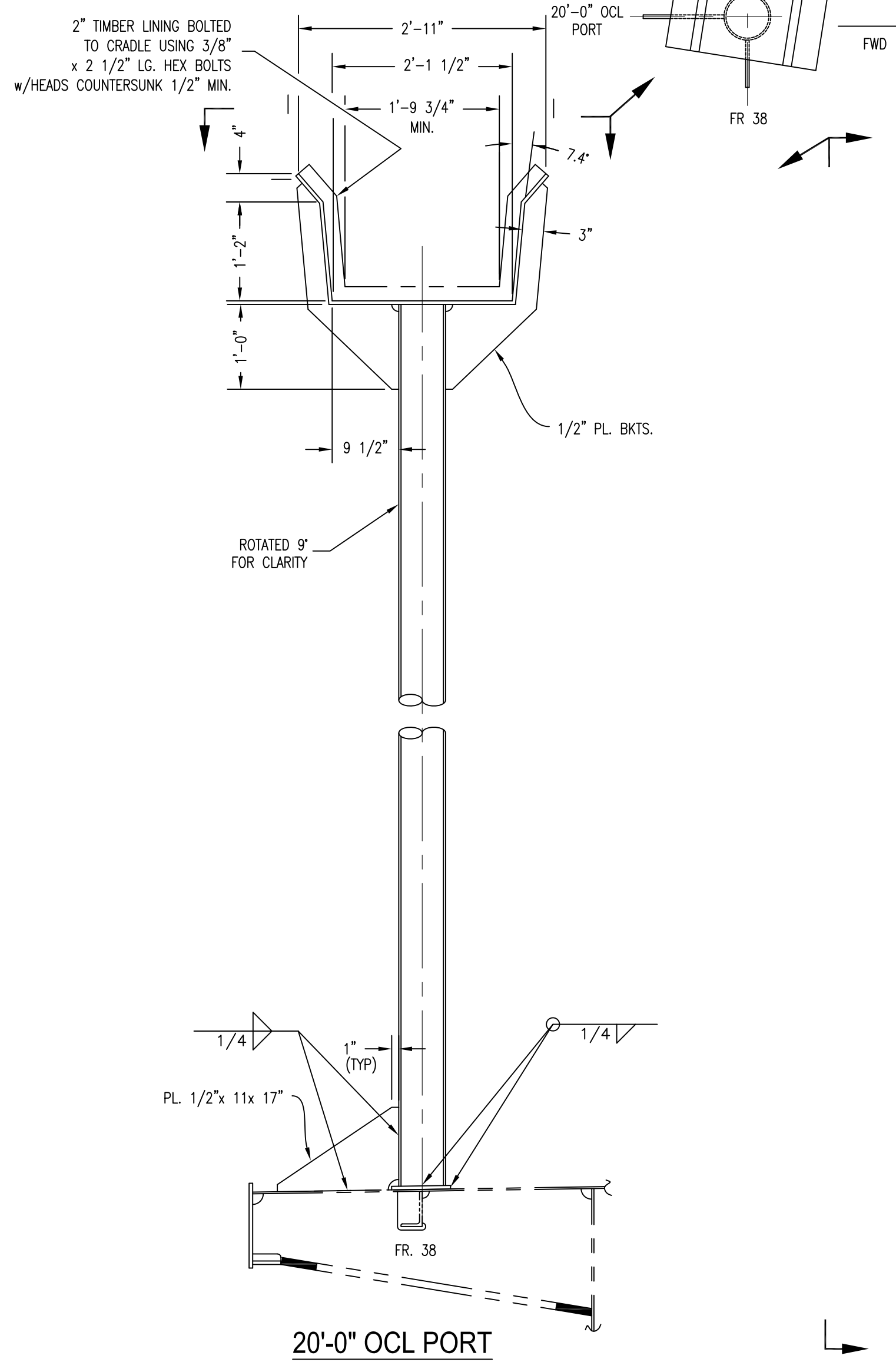
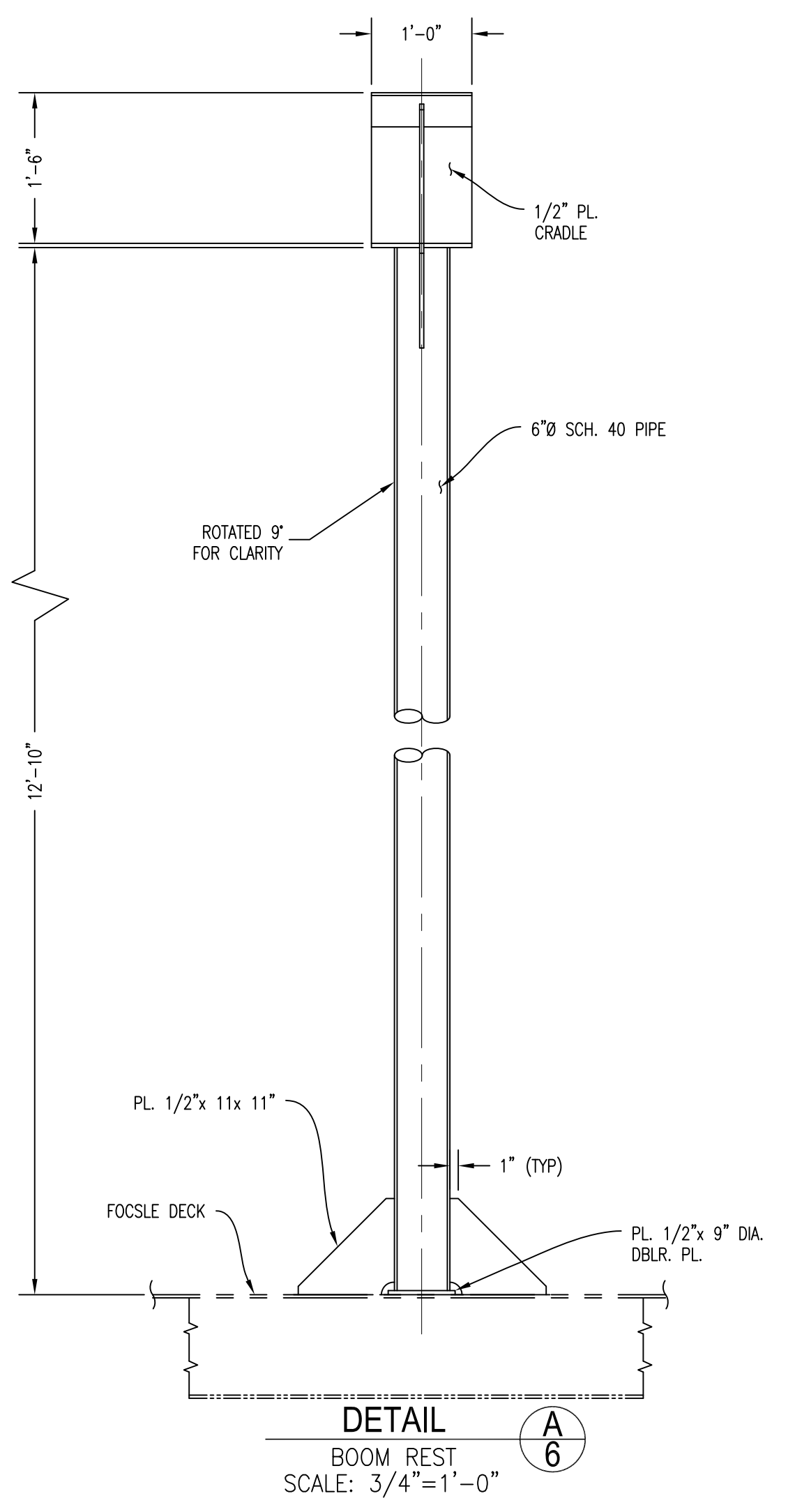
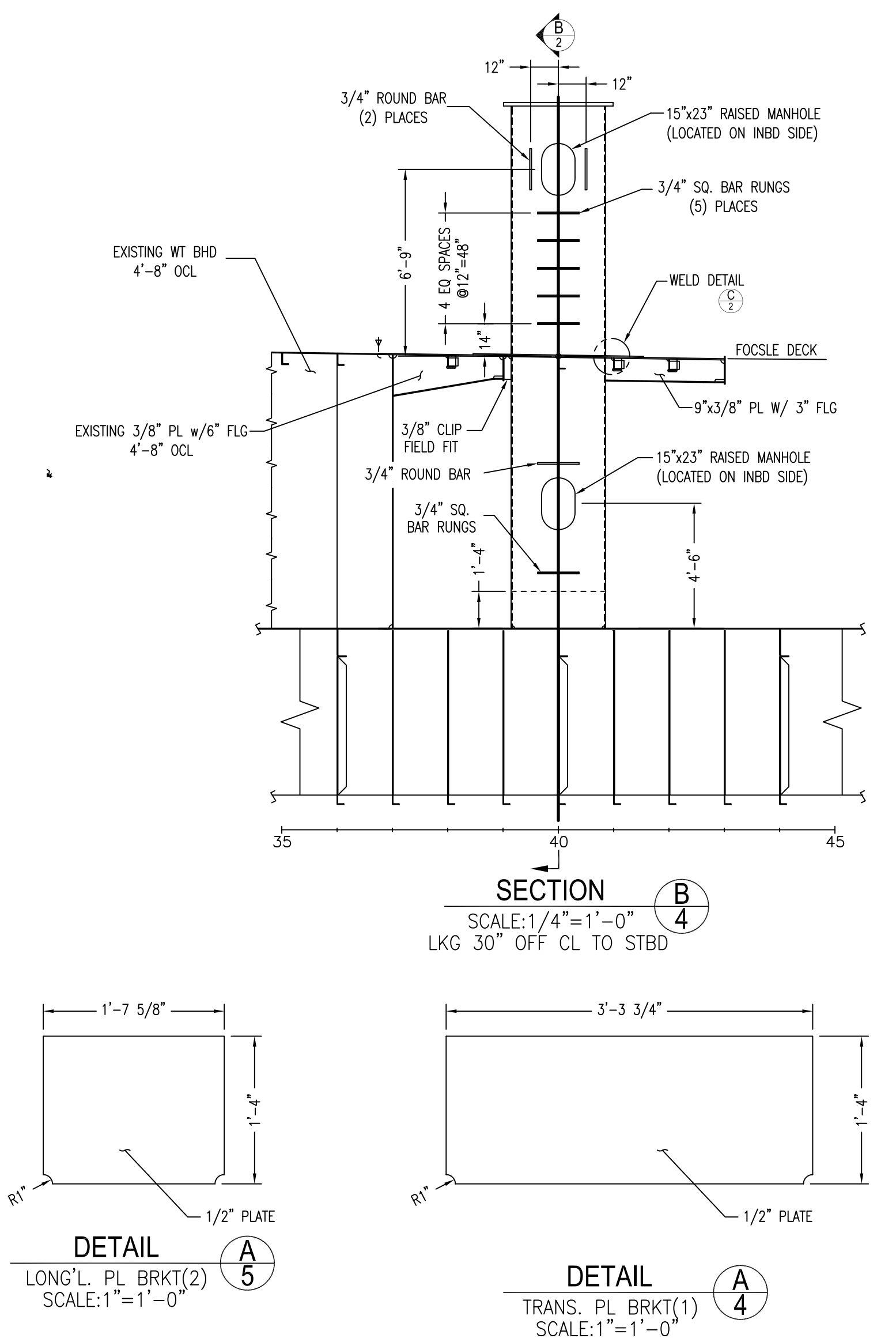
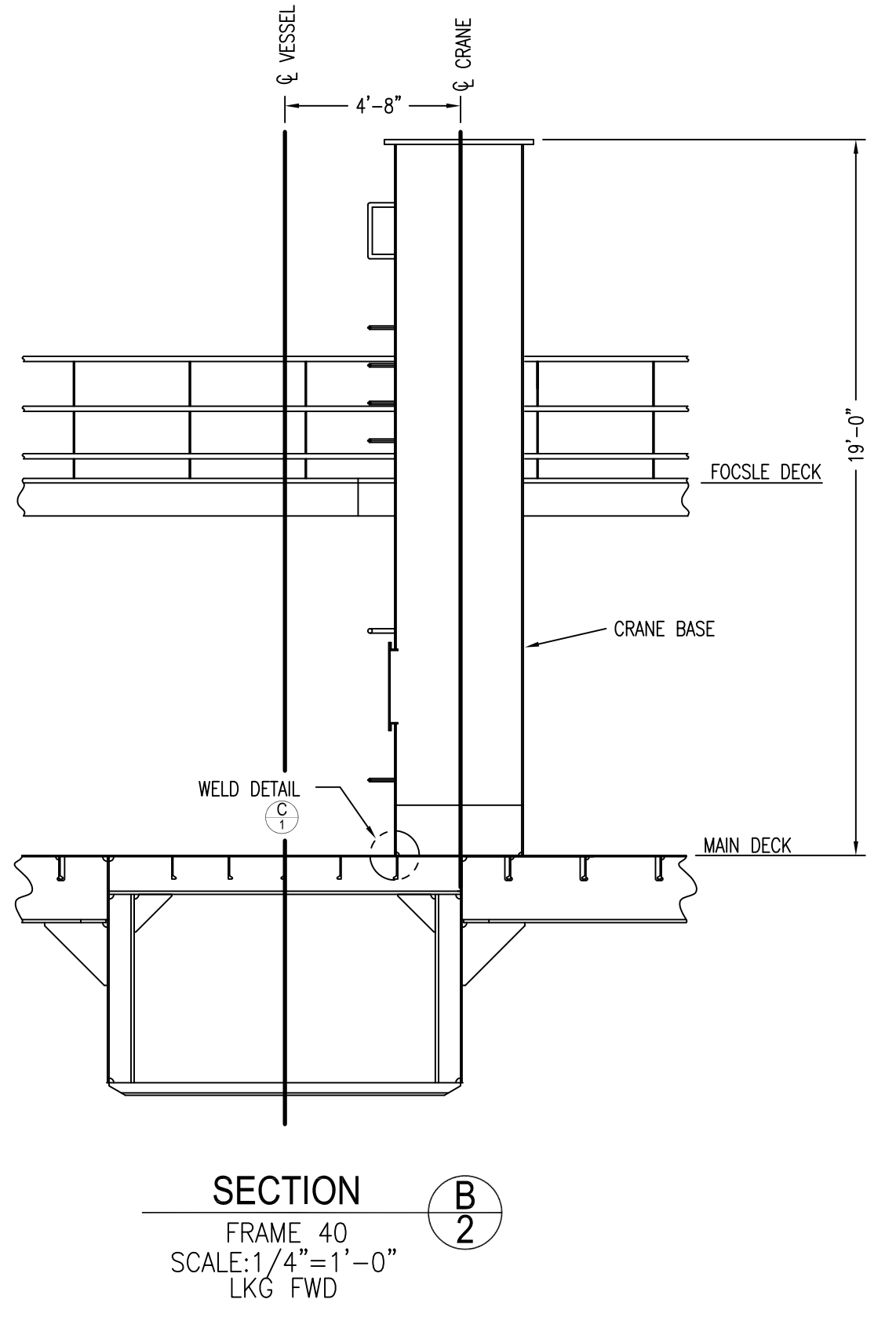
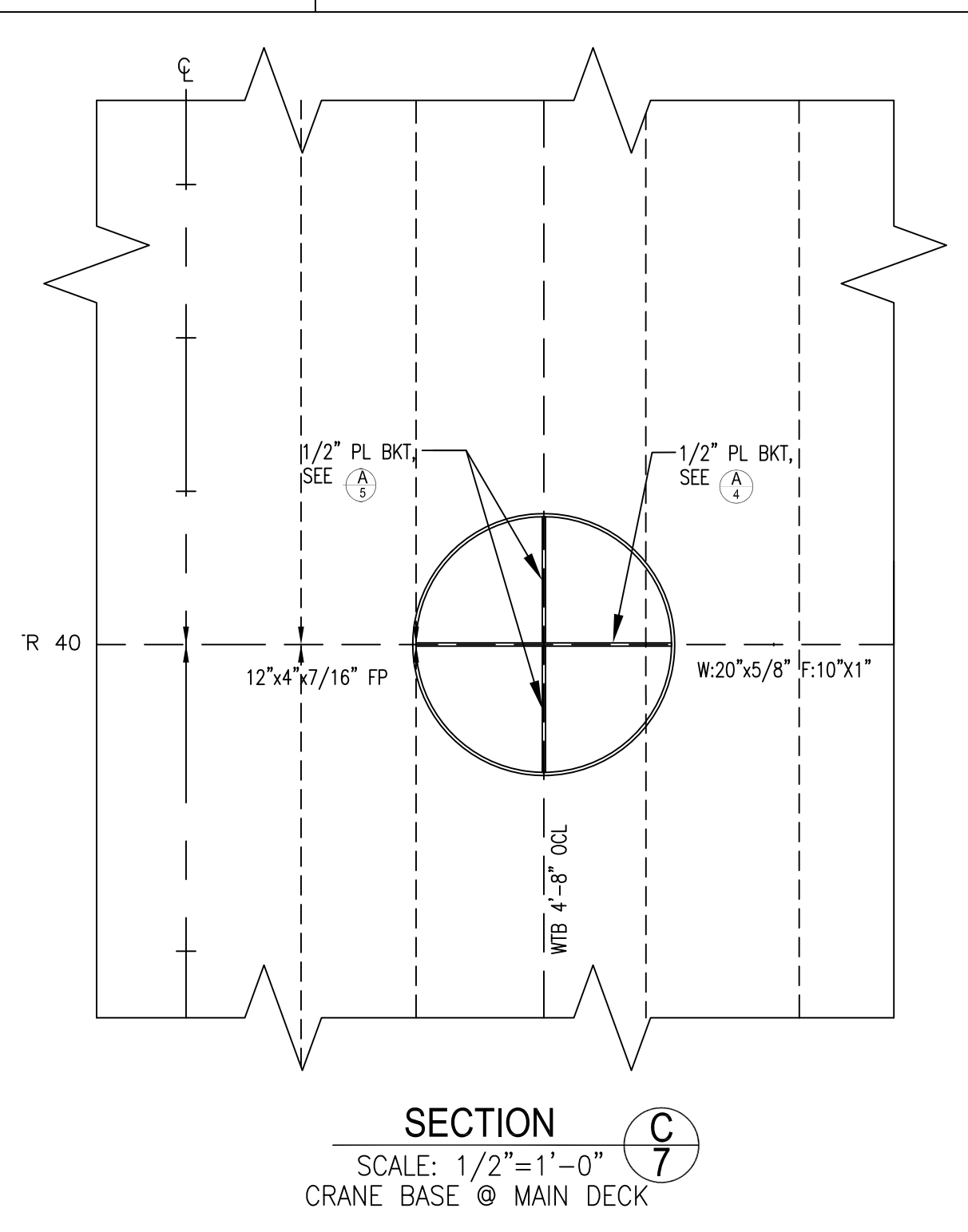
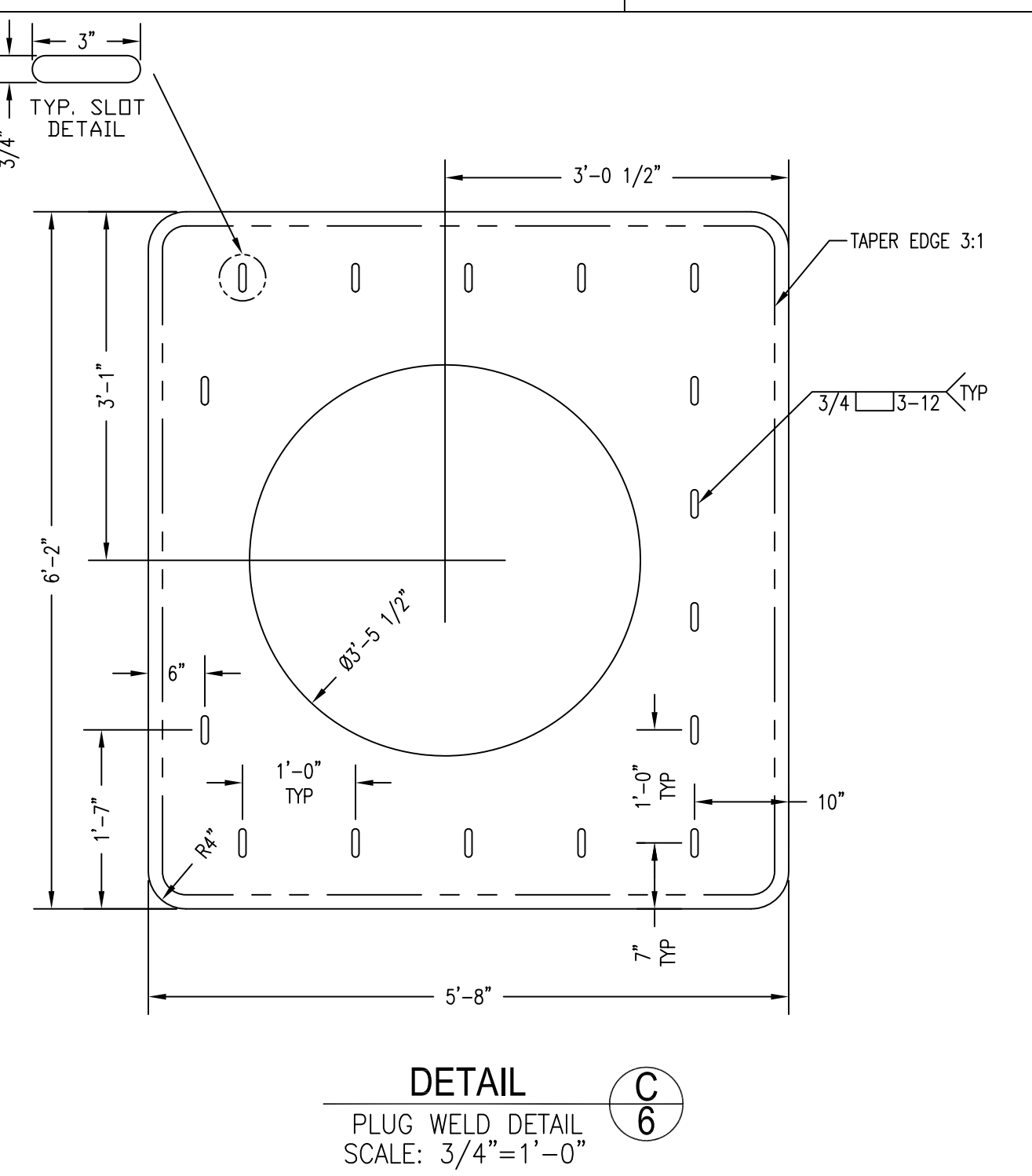
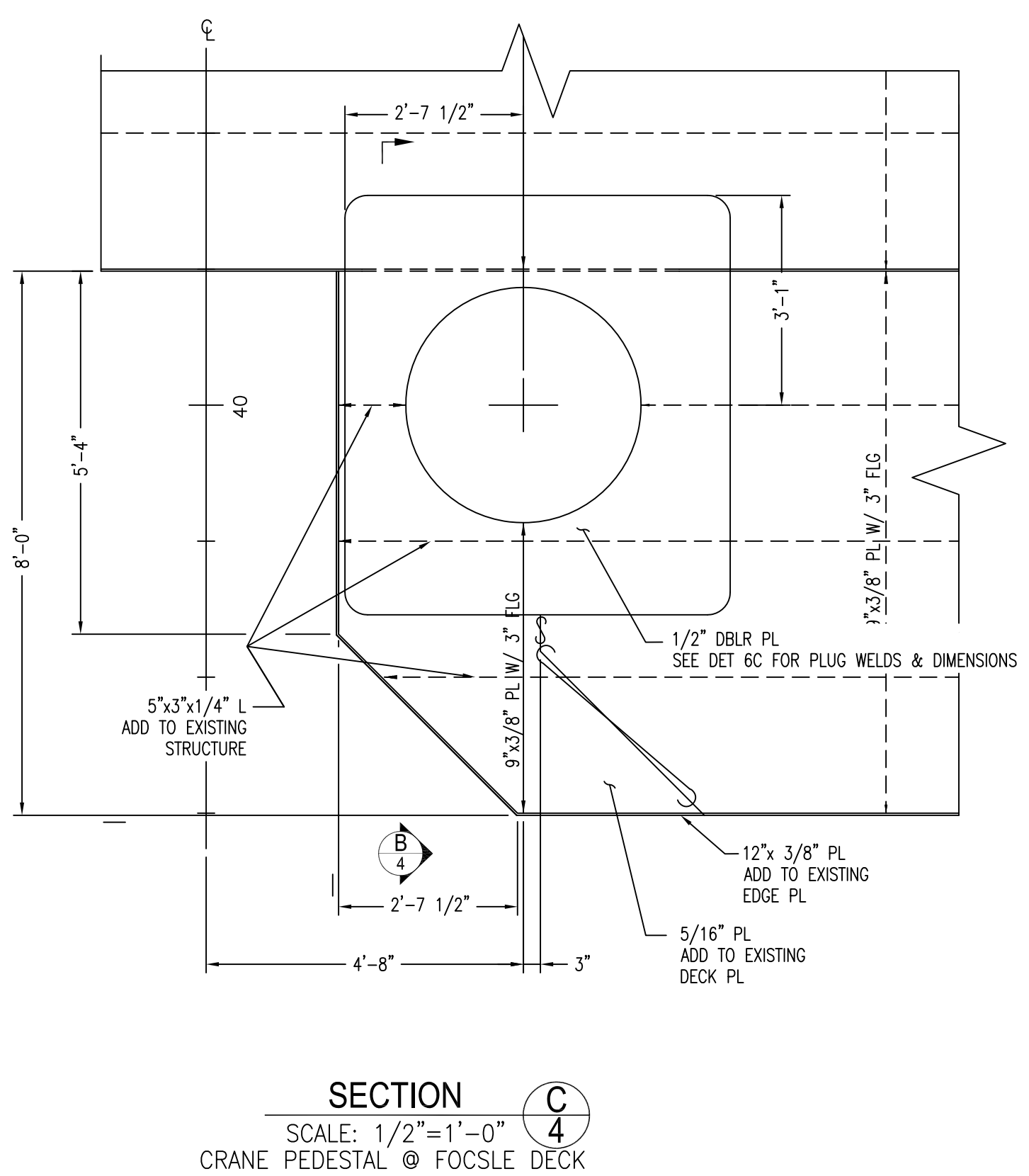
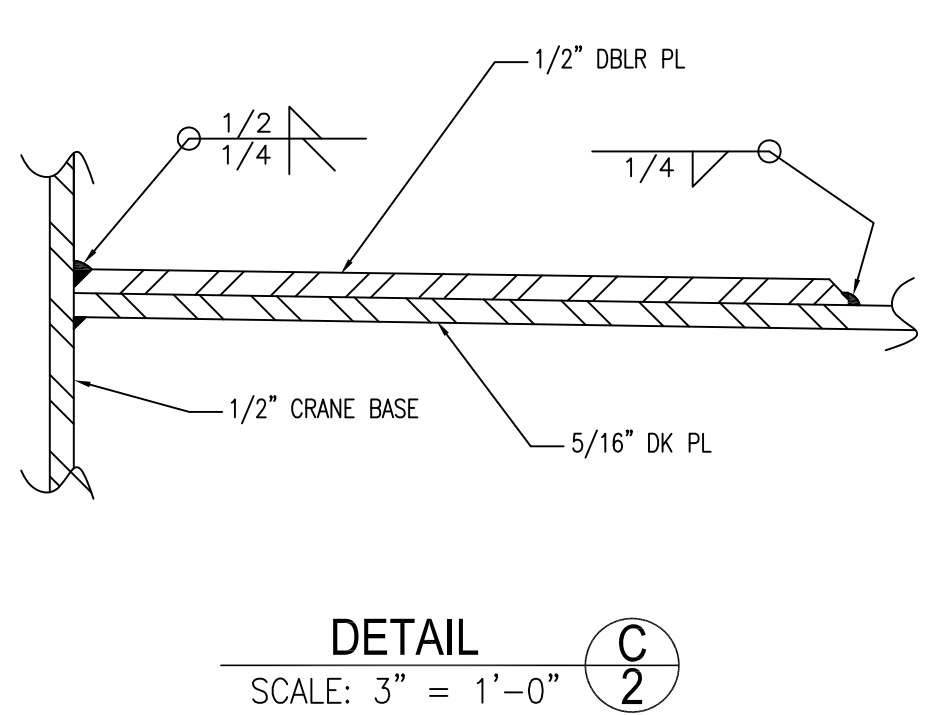
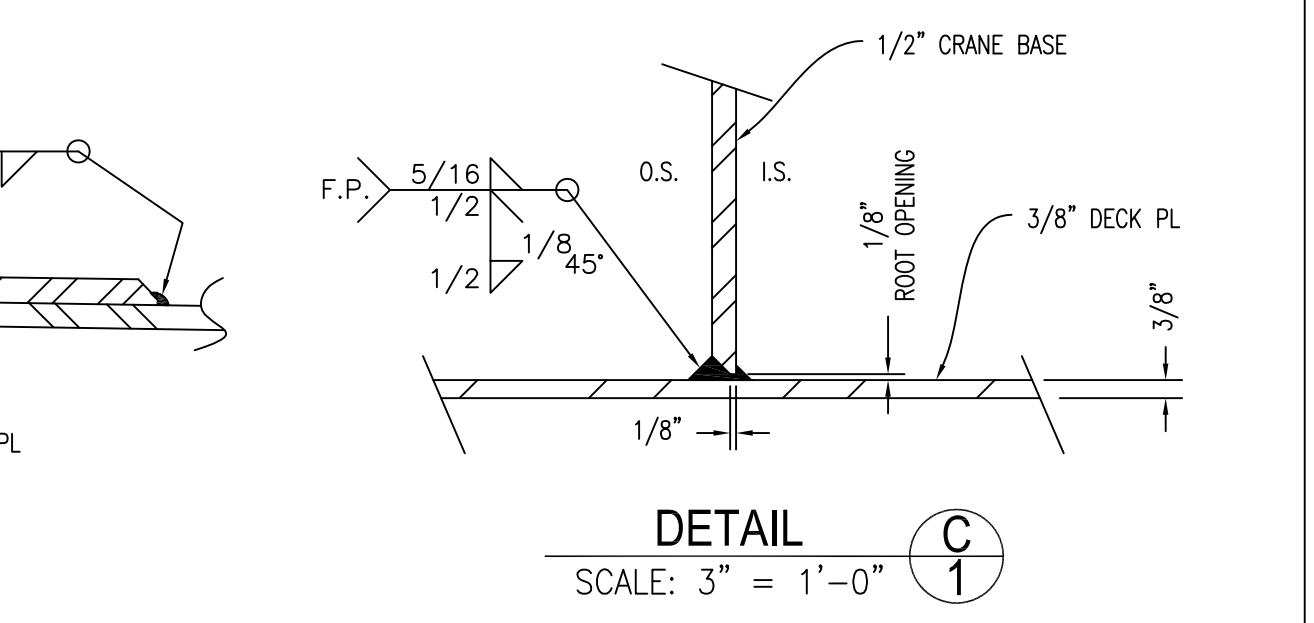
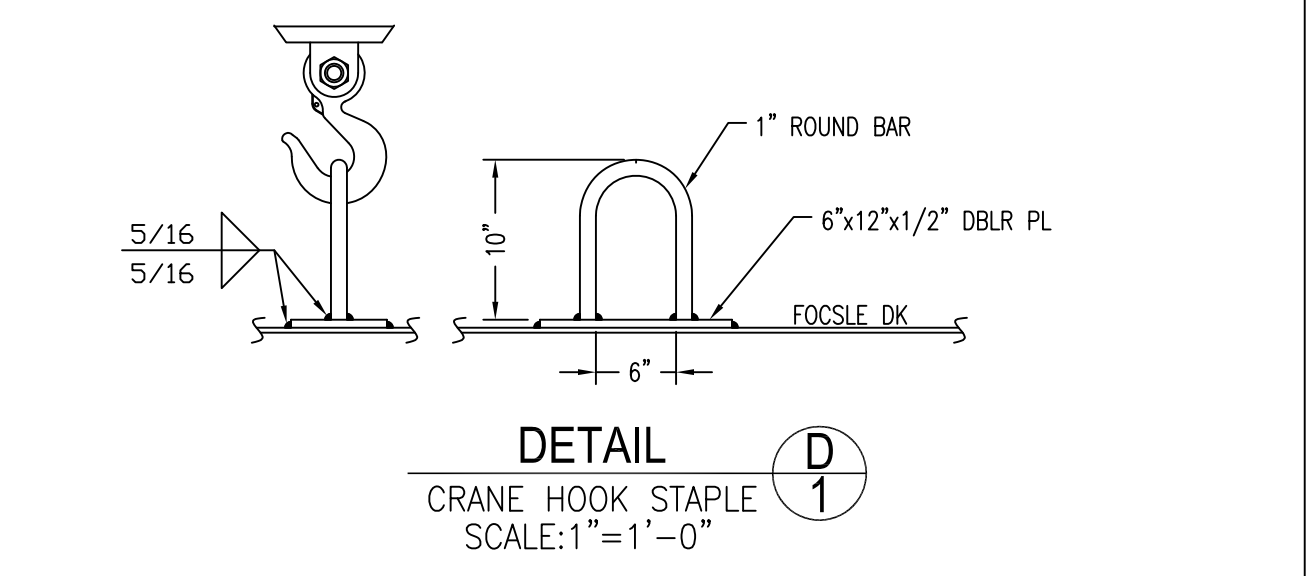
- STRUCTURAL ARRGT. FR 32-68; DWG. FH05-001-00
- STRUCTURAL ARRGT. FORCASTLE; DWG. FH11-001-00
- RESCUE BOAT DAVIT FOUNDATION; DWG. FH45-001-01
- HYDRA PRO CRANE G.A.; DWG. MB-05757

HORNBECK OFFSHORE SERVICES

THIS DRAWING, DESIGN CONCEPT AND SPECIFICATIONS ARE THE PROPERTY OF HORNBECK OFFSHORE SERVICES AND ARE FURNISHED ON A CONFIDENTIAL BASIS WITH AN EXPRESSED UNDERSTANDING THAT THEY WILL NOT BE COPIED, IN ANY MANNER USED FOR MANUFACTURE, SOLD, TRANSFERRED, NOR USED TO THE DETRIMENT OF SAID FIRM WITHOUT WRITTEN PERMISSION. HOS ©

DRAWN BY: WH	285'-0" X 64'-0" X 24'-0"		
CH'KD. BY: JP	CRANE LAYOUT & DETAILS		
APP'D. BY:	SCALE: AS NOTED	DATE: 2/26/09	REV.
APP'D. BY:	DRAWING # 3502	SHEET 1 OF 2	0

REVISIONS		
DATE	DESCRIPTION	BY.



<p>THIS DRAWING, DESIGN CONCEPT AND SPECIFICATIONS ARE THE PROPERTY OF HORNBECK OFFSHORE SERVICES AND ARE FURNISHED ON A CONFIDENTIAL BASIS WITH AN EXPRESSED UNDERSTANDING THAT THEY WILL NOT BE COPIED IN ANY MANNER USED FOR MANUFACTURE, SOLD, TRANSFERRED, NOR USED TO THE DETRIMENT OF SAID FIRM WITHOUT WRITTEN PERMISSION. HOS ©</p> <p>HORNBECK OFFSHORE SERVICES</p>			
DRAWN BY:	WH	285'-0" X 64'-0" X 24'-0"	
CH'KD. BY:	DP	CRANE LAYOUT & DETAILS	
APP'D. BY:	SCALE: AS NOTED	DATE: 2/26/09	REV.
APP'D. BY:	DRAWING # 3.502	SHEET 2 OF 2	0